

# V1182-3812-C6R Series

## HD 6MP IR Vari-Focal 1/1.8" Lenses w/DC Auto Iris

**Infinova**<sup>®</sup>  
The Integrator's Manufacturer



- **6.44Mpx**
- **DC auto iris**
- **3.8~12 mm focal length**
- **Compact, light weight and robust design**
- **Operating temperature ranges from -20°C to +70°C**
- **Compact structure, easy to install**

Infinova's V1182-3812-C6R series HD 6.44MP IR vari-focal lens which features wide aperture of F1.4 and broad focal length of 3.8~12mm is of many kinds of applications. It is able to work under the condition of -20°C~+70°C. Besides, its compact structure makes it easier to install.

## Ordering information

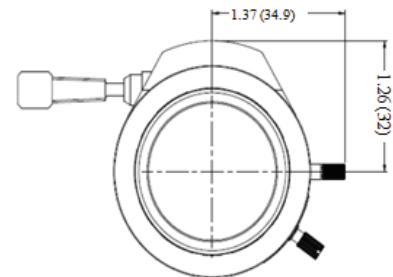
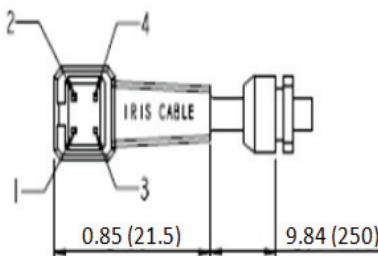
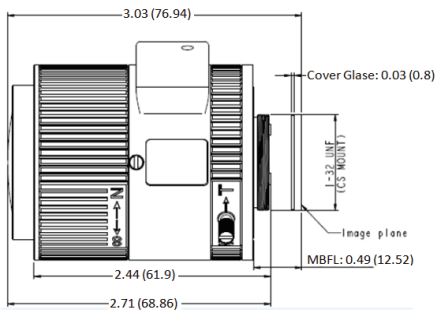
V1182-3812-C6R

Lens, 6.0 Mega pixels, f=3.8~12mm, F/1.4, DC auto iris, 1/1.8 inch, C

## Technical specifications

Resolution	6.44MP
Image Format	1/1.8"
Focal Length	3.8~12mm
Aperture (F/#)	1.4
Back Focal Length	Wide: 10.12mm (with 0.5mm CG, 0.3mm ICR) Tele: 20.8mm (with 0.5mm CG, 0.3mm ICR)
Image Circle	8.95mm
Total Length	Wide: 74.15mm (with 0.5mm CG, 0.3mm ICR) Tele: 60.82mm (with 0.5mm CG, 0.3mm ICR)
Angle of View (V°×H°×D°)	Wide: 73.8°×117.9°×154.4° Tele: 25.1°×37.3°×45.5° Based on IMX178 (1/1.8" )
Focus Range	0.8m~INF (W and T)
Front Lens Barrel Size	51.8mm
Step Angle	0.709°
Coil Resistance	28.5Ω±10%
Operation Voltage	2.6~3.8V
Storage Condition	Temperature: -20°C ~ +70°C Humidity: 0%~90%(No Condensing)
Operation Condition	Temperature: -20°C ~ +70°C Humidity: 0%~90%(No Condensing)

## Dimensions



(Unit: inch, in the parentheses is mm)